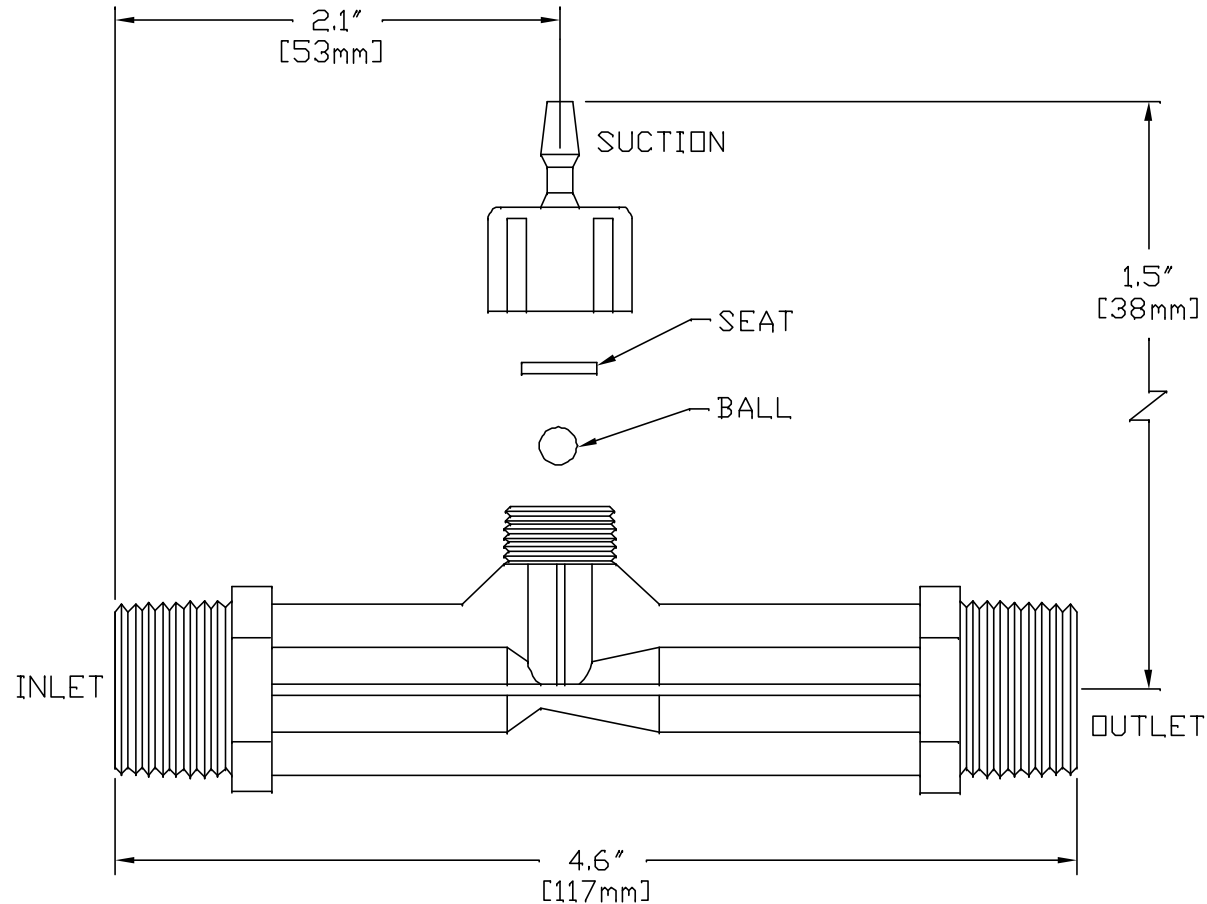


NOTES:

1. INLET & OUTLET: 1/2" MNPT
2. SUCTION PORT: 3/16" (ID) TUBING BARB SHANK
3. MATERIAL OF CONSTRUCTION: GLASS REINFORCED POLYPROPYLENE OR PVDF (KYNAR)
4. MAXIMUM TEMPERATURE RATING:  
POLYPROPYLENE: 150 F. (65.5 C.)  
PVDF: 200 F. (93.3 C.)
5. MAXIMUM PRESSURE RATING AT 68 F. (20 C.)  
POLYPROPYLENE: 150 PSIG (10.3 BAR)  
PVDF: 200 PSIG (13.8 BAR)



Distribué par ozone.ch SARL, Chemin des Aulnes 1, 2400 Le Locle, Suisse

Tél: ++41(0)32-841 77 55 Fax:++41(0)32-841 77 57

Email: [info@ozone.ch](mailto:info@ozone.ch) Web: [www.ozone.ch](http://www.ozone.ch)

Covered By United States Patent No. 5,863,128  
International Patents Pending