



**SHELCO
FILTERS**



BFS Series

Multi-Cavity Bag Housings 2 thru 6 round

Shelco's new BFS multi-cavity bag housings are manufactured from 304L or 316L stainless steel with many standard features. The 2BFS clamp style housing is fast becoming a market leader with its quick clamp closer and exceptional value. The heavy duty design of the swing bolt closure and davit assembly make it a perfect choice for your larger flow applications. Protective poly coat over stainless steel is the standard finish. We offer the multi series housings in a 2, 3, 4, 5 and 6 round design.

Features 2 thru 6 BFS Swing Bolt

- Heavy duty swing bolt closure with lifting davit
- 150 PSI rated and up to 300°F
- 3" to 6" flanged (see Ordering Guide)
- ¼" Gauge Ports
- ¾" Drain
- ½" Vent
- 304L or 316L stainless steel construction
- FDA Buna O-ring
- Stainless steel legs
- Basket hold down device
- Low profile for easy change out
- Eye nuts and davit handles are plated to prevent gauling
- Davit arm is painted steel

Features 2BFS Clamp

- Easy open clamp closure
- 150 PSI rated and up to 250°F
- 3" Flanged
- ¼" Gauge ports
- ½" Vent and Drain
- 304L or 316L stainless steel construction
- FDA Buna O-ring
- Stainless steel legs
- Basket hold down device

Options

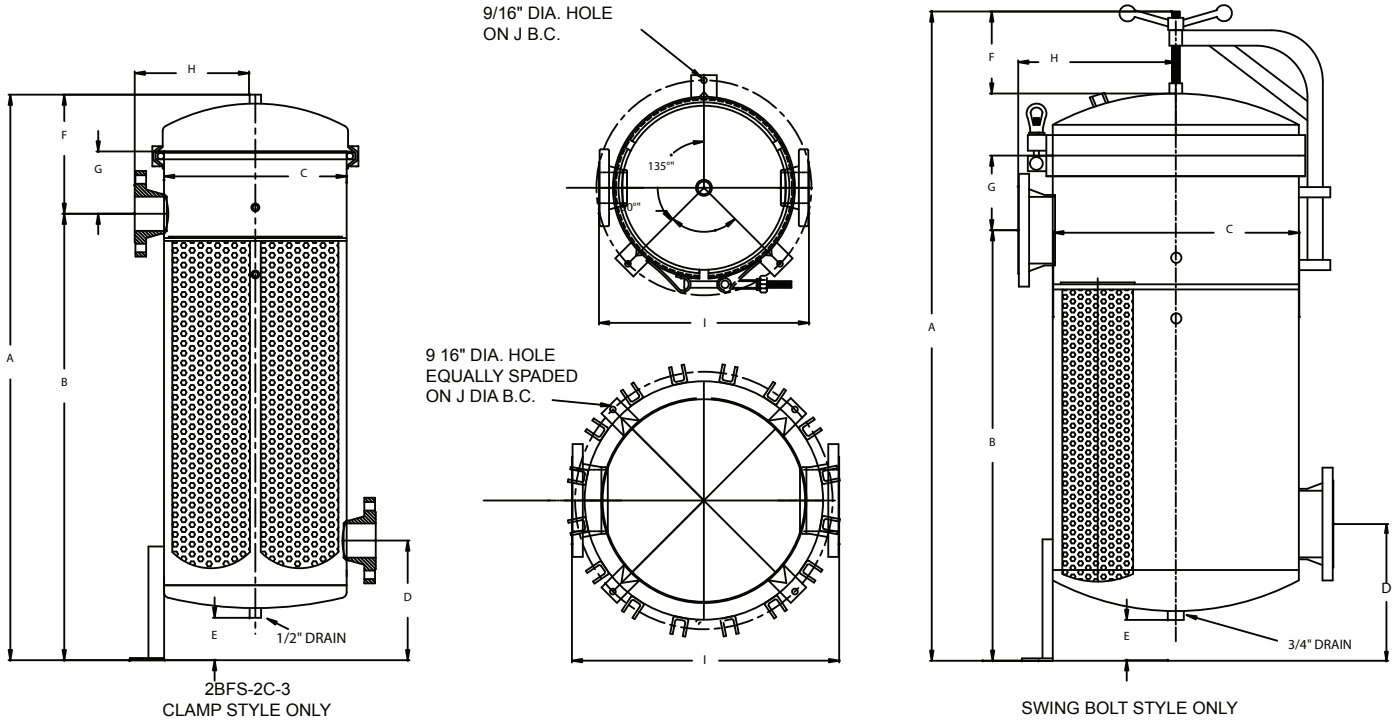
- Specialty wire meshed baskets
- 134 coating for sea water and corrosive applications
- Wide variety of connections
- Electro-polishing available

Standard Design Specifications

Model	Closure	(QTY) / Bag Size	Flow Rate Gpm*	Std Pipe Size Flanged	Drain	Vent	Gauge Ports	Shipping Weight lbs	Shipping Size
2BFS-2C	Clamp	(2) / #2	350	3"F	1/2" NPT	1/2" NPT	1/4" NPT	180 lbs	Skid
2BFS-2SB	Swing Bolt	(2) / #2	350	3"F	3/4" NPT	1/2" NPT	1/4" NPT	230 lbs	Skid
3BFS-2SB	Swing Bolt	(3) / #2	525	4"F	3/4" NPT	1/2" NPT	1/4" NPT	290 lbs	Skid
4BFS-2SB	Swing Bolt	(4) / #2	700	4"F	3/4" NPT	1/2" NPT	1/4" NPT	375 lbs	Skid
5BFS-2SB	Swing Bolt	(5) / #2	875	4"F	3/4" NPT	1/2" NPT	1/4" NPT	580 lbs	Skid
6BFS-2SB	Swing Bolt	(6) / #2	1050	6"F	3/4" NPT	1/2" NPT	1/4" NPT	650 lbs	Skid

* Flow rates are for guide lines only, actual flow rates are based on fluid, viscosity, Bag type, micron ratings and other factors.

Dimensions



MODEL	A	B	C	D	E	F	G	H	I	J
2BFS-2C-3	49 9/16"	39 1/8"	16"	10 1/2"	4 1/8"	11 5/8"	13 5/8"	10 9/16"	20 1/2"	20 15/16"
2BFS-2SB	49 9/16"	39 1/8"	16"	10 1/2"	3 11/16"	10"	6 7/8"	10 9/16"	20 1/2"	20 15/16"
3BFS-2SB	52 7/8"	41 1/16"	18"	10 3/4"	3 1/4"	10"	6 1/4"	12 5/16"	22 5/8"	22 15/16"
4BFS-2SB	61 1/4"	40 1/2"	20"	11 1/4"	3 1/4"	10"	8"	12 7/8"	26 1/16"	25"
5BFS-2SB	63 1/2"	42"	24"	13 3/8"	4"	10"	7 1/4"	15 3/8"	30"	29"
6BFS-2SB	63 1/2"	42"	24"	13 3/8"	4"	10"	7 1/4"	15 3/8"	30"	29"

ORDERING GUIDE - Clamp Closure

# of Bags	Model	Bag Size	Closure	Std. Flanged Connections	Material	Gasket
2	BFS	2	C = Clamp	3 = 3"	Blank = 304 SS 316 = 316 SS	Blank = Buna E = EPR S = Silicone V = Viton T = Telfon Encapluated Silicone

ORDERING GUIDE - Swing Bolt Closure

# of Bags	Model	Bag Size	Closure	Std. Flanged Connections	Material	Gasket
2	BFS	2	SB = Swing Bolt	3 = 3"	Blank = 304 SS	Blank = Buna
3				4 = 4"	316 = 316 SS	E = EPR
4				4 = 4"	134 = 3M 134 Coating over 304 SS	S = Silicone
5				4 = 4"		V = Viton
6				6 = 6"		T = Telfon Encapluated Silicone

Example: 4BFS-2SB-4-316E



Distribué par :
ozone.ch SARL
Chemin du Theyeret 25, 2017 Boudry, Suisse
Tél: ++41(0)32-841 77 55 Fax: ++41(0)32-841 77 57
Email : info@ozone.ch Web : http://www.ozone.ch

ete Line of
ent Filter Bags

Hold down device for each
basket insuring a positive seal.