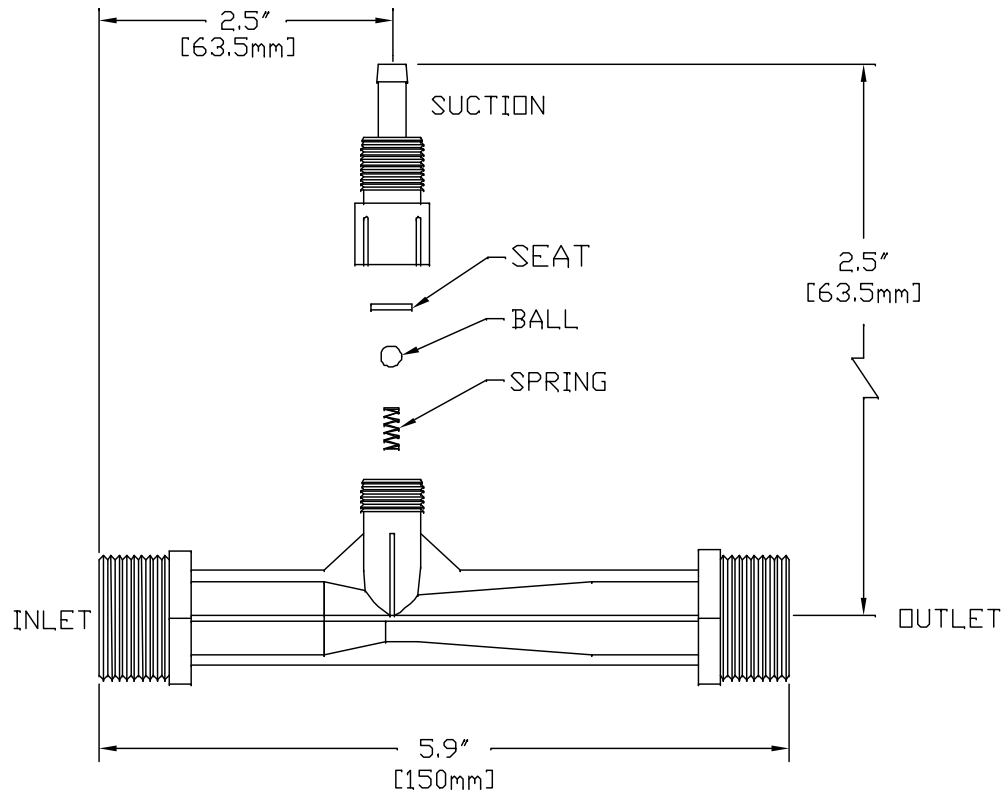


NOTES:

1. INLET AND OUTLET 3/4" MNPT OR BSPT (ISO-R)
2. SUCTION PORT: 1/4" (ID) TUBING BARB SHANK OR 1/4" MNPT
3. MATERIAL OF CONSTRUCTION: GLASS REINFORCED POLYPROPYLENE OR PVDF (KYNAR)
4. MAXIMUM TEMPERATURE RATING:
 POLYPROPYLENE: 150 F. (65.5 C.)
 PVDF: 200 F. (93.3 C.)
5. MAXIMUM PRESSURE RATING AT 68 F. (20 C.)
 POLYPROPYLENE: 150 PSIG (10.3 BAR)
 PVDF: 200 PSIG (13.8 BAR)



Covered By United States Patent No. 5,863,128
 International Patents Pending



Mazzei Injector Company, LLC
 500 Rooster Drive, Bakersfield, CA 93307
 Tel: 661.363.6500 Fax: 661.363.7500

| | | | |
|-------------|-----------|--------------------|------|
| DATE | 12-15-00 | TITLE | |
| DRAWN BY | JRM | MODEL 684 INJECTOR | |
| REVIEWED BY | RST | NUMBER | REV. |
| SCALE | NONE | JRM-12 | |
| MATERIALS: | SEE NOTES | PAGE (1) OF (1) | |